

Sorrento

The classically designed Sorrento adds a touch of decadence to any bathroom.

Available in three sizes and in a range of bespoke outer finishes, this double ended bath is the perfect choice for those who want more space to relax.

Supplied as standard with a white waste and overflow cover as well as a slimline bath trap for easy installation above floor level.

Sorrento Small 1500 x 720mm Bath

Code: FSODE1/WH

Sorrento Small 1500 x 720mm Coloured Bath

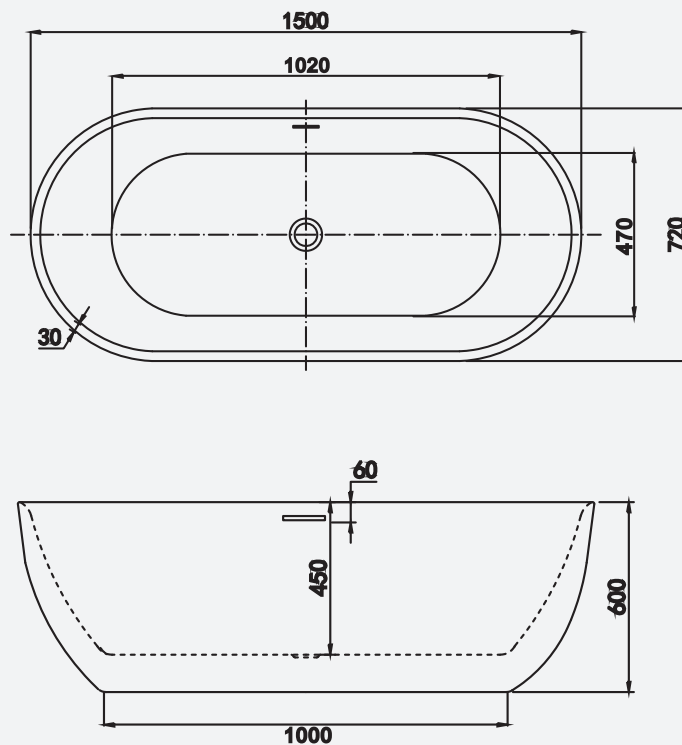
Code: FSODE1/COL

Size: 1500(l) x 720(w)mm

Weight: 40kg



Technical Information



Founded
1880

Telephone 028 9081 7631
Email info@adamsez.com

www.adamsez.com

 AdColour;
Make me yours

