

Ennis

A truly exquisite design, the Ennis bath communicates simplistic elegance.

The blend of straight lines and curves is a welcome addition to both modern and traditional bathrooms.

Available in two sizes, the Ennis range of baths from Adamsez are unsurpassed for their high quality, design, innovation and comfort.

- Minimal slimline edge design
- Generous internal bathing area.
- Discrete integrated overflow
- White clicker waste and slimline trap as standard
- Featuring tap ledge at one end

Ennis 1700 x 800mm Bath

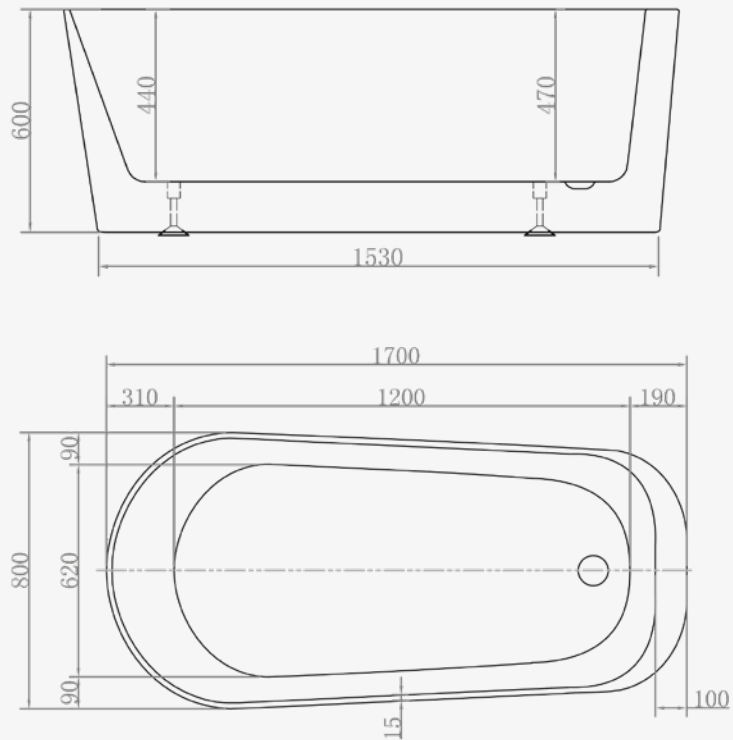
Code: FSENSE/WH2

Size: 1700 x 800mm / Weight 62kg



Technical Information

Estimated Volume - 340L



Founded 1880

Telephone 028 9081 7631
Email info@adamsez.com

www.adamsez.com

 AdColour;
Make me yours

