

# Ennis

**A truly exquisite design, the Ennis bath communicates simplistic elegance.**

The blend of straight lines and curves is a welcome addition to both modern and traditional bathrooms.

Available in two sizes, the Ennis range of baths from Adamsez are unsurpassed for their high quality, design, innovation and comfort.

- Minimal slimline edge design
- Generous internal bathing area.
- Discrete integrated overflow
- White clicker waste and slimline trap as standard
- Featuring tap ledge at one end

**Ennis 1500 x 800mm Bath**

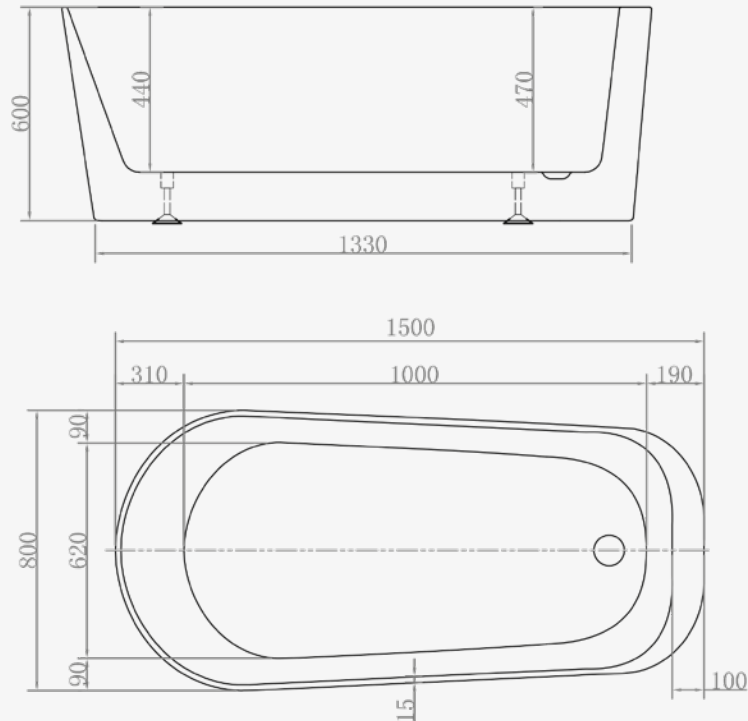
Code: FSENSE/WH1

*Size: 1500 x 800mm / Weight 62kg*



**Technical Information**

Estimated Volume - 340L



Founded 1880

Telephone 028 9081 7631  
Email info@adamsez.com

[www.adamsez.com](http://www.adamsez.com)

 AdColour;  
Make me yours

