

# Copelyn

The minimalist design of the Copelyn bath will give any bathroom a contemporary focal point.

Its strong, rectangular shape with curved edges, slimline edge and depth makes it the perfect addition to any bathroom space and for those wanting more space to relax.

- Minimal slimline edge design
- Generous internal bathing area.
- Discrete integrated overflow
- White clicker waste as standard
- Access panel for ease of installation

### Copelyn 1700 x 800mm Bath

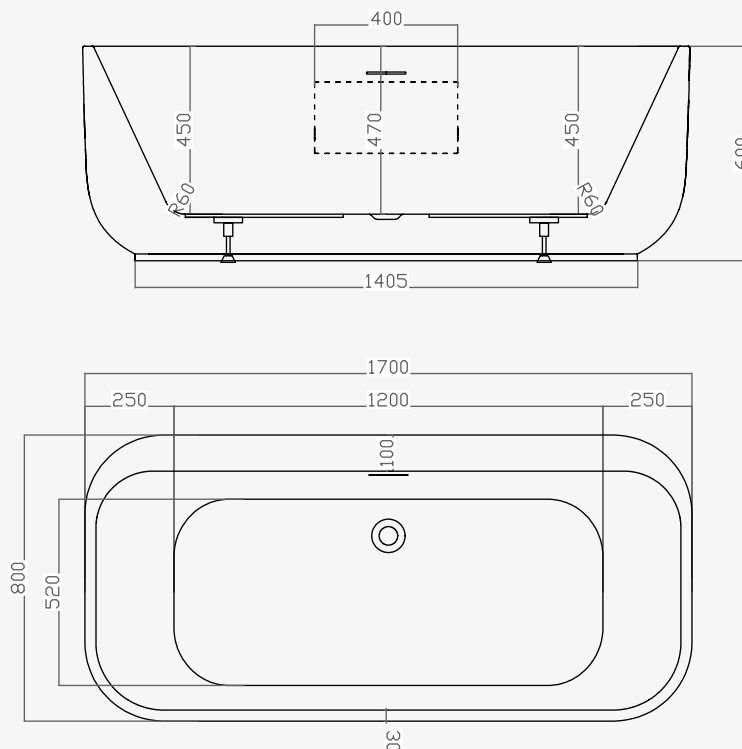
Code: FSCODE/WH2

*Size: 1700 x 800mm / Weight 54kg*



### Technical Information

Estimated Volume - 300L



Founded  
1880

Telephone 028 9081 7631  
Email info@adamsez.com

[www.adamsez.com](http://www.adamsez.com)

 AdColour;  
Make me yours

