

Mila *Matt Black*

Our stone basins are crafted from a Mineral Composite structure, combining Dolomite Stone and Resin. This combination imparts unparalleled durability and impact-resistance to Mineral Composite.

With eight basin designs to complement the shape of our baths and endless bespoke outer finishes, the AdCast stone Wash Basin collection offers increased personalisation of your Wash Basin.

Mila Matt Black Basin

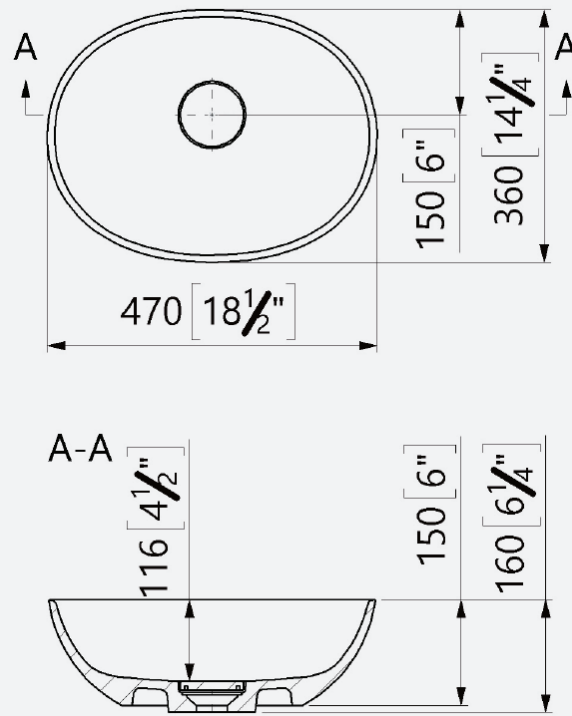
Code: MI4BM/BL

Size: 470(l) x 360(w)

Weight: 8kg



Technical Information



Founded
1880

Telephone 028 9081 7631
Email info@adamsez.com

www.adamsez.com

 AdColour;
Make me yours

