

Components

End Panel P&L Shape

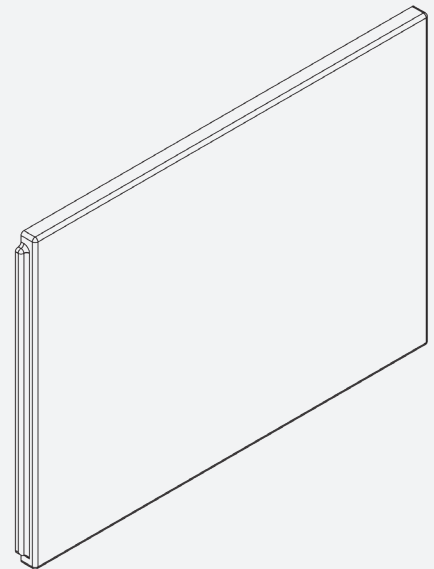
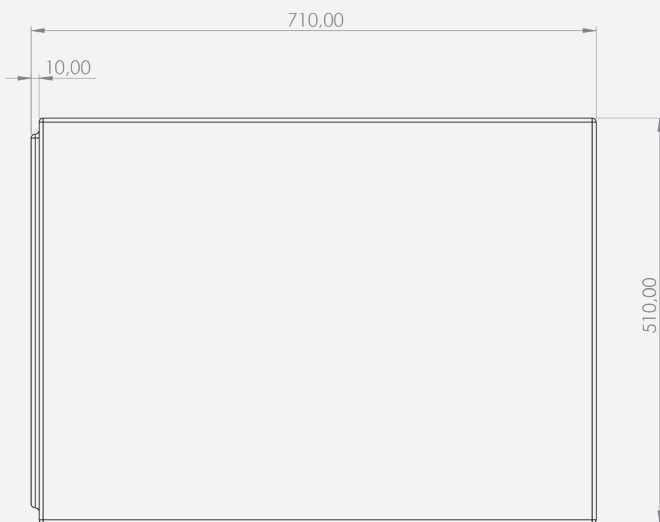
Code: PLEP/700

Technical Information

Size: 700mm

4mm Standard Panel

12-Year Guarantee (T&Cs Apply)



Founded
1880

Telephone 028 9081 7631
Email info@adamsez.com

www.adamsez.com

 AdColour;
Make me yours



Components

P-Shape Front Panel

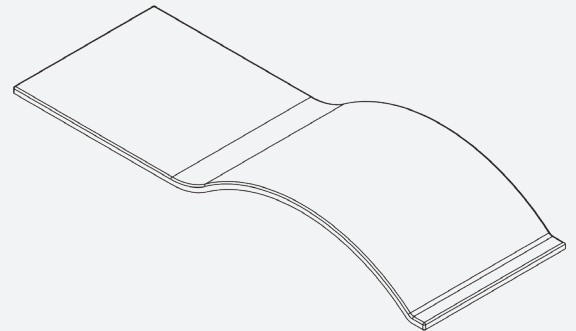
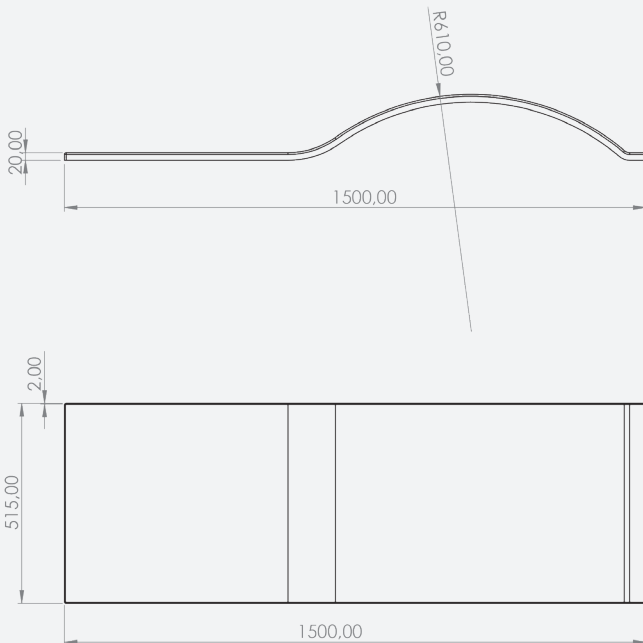
Code: PFP/1500

Technical Information

Size: 1500mm

4mm Standard Panel

12-Year Guarantee (T&Cs Apply)



Founded
1880

Telephone 028 9081 7631
Email info@adamsez.com

www.adamsez.com

 AdColour;
Make me yours



Components

P-Shape Front Panel

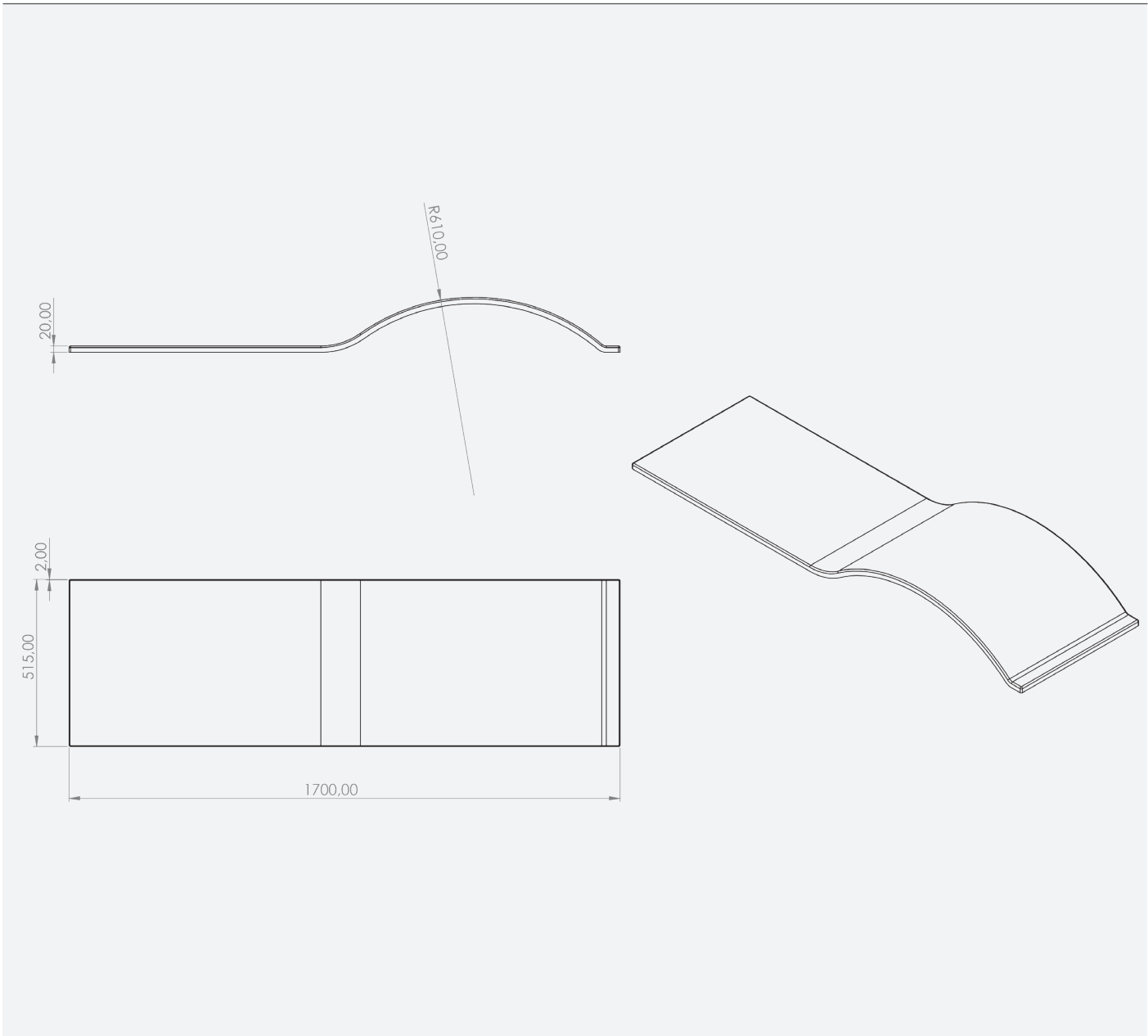
Code: PFP/1700

Technical Information

Size: 1700mm

4mm Standard Panel

12-Year Guarantee (T&Cs Apply)



Founded 1880

Telephone 028 9081 7631
Email info@adamsez.com

www.adamsez.com

AdColour;
Make me yours



Components

Parisian Front Panel

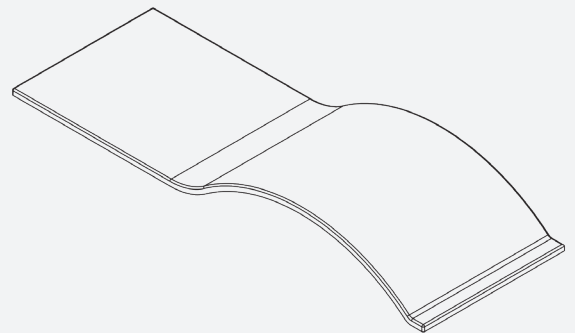
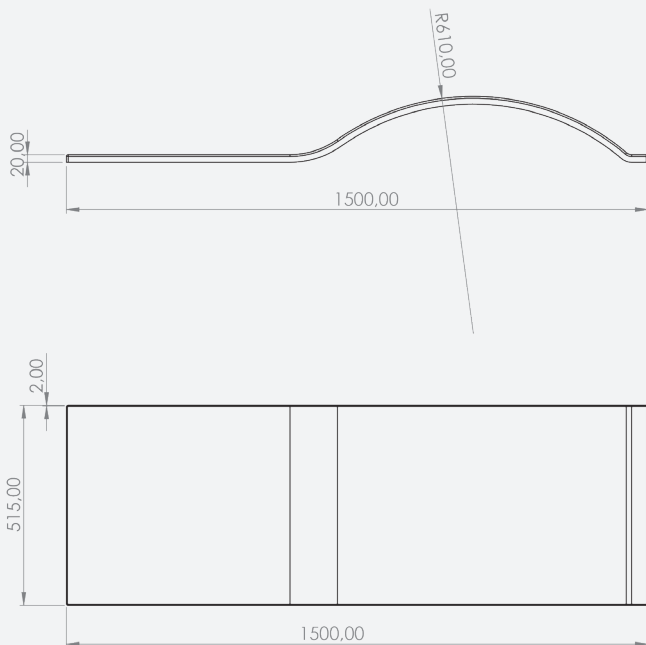
Code: PFP/1500LUX

Technical Information

Size: 1500mm

5mm Standard Panel

12-Year Guarantee (T&Cs Apply)



Founded
1880

Telephone 028 9081 7631
Email info@adamsez.com

www.adamsez.com

 AdColour;
Make me yours



Components

Parisian Front Panel

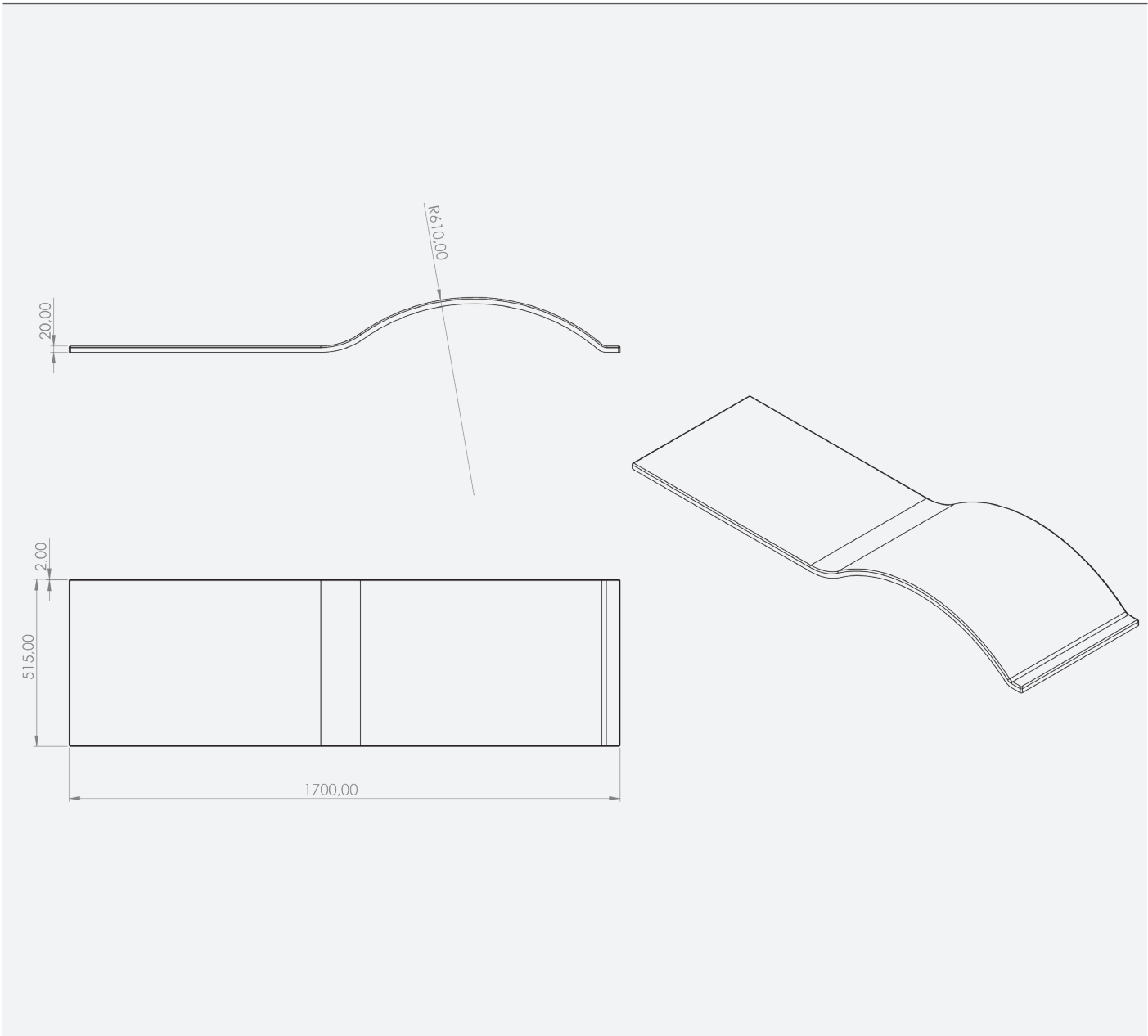
Code: PFP/1700LUX

Technical Information

Size: 1700mm

5mm Standard Panel

12-Year Guarantee (T&Cs Apply)



Founded
1880

Telephone 028 9081 7631
Email info@adamsez.com

www.adamsez.com

 AdColour;
Make me yours

