

AdVance - Acrylic

# Essence II

Code: ESS/175X80

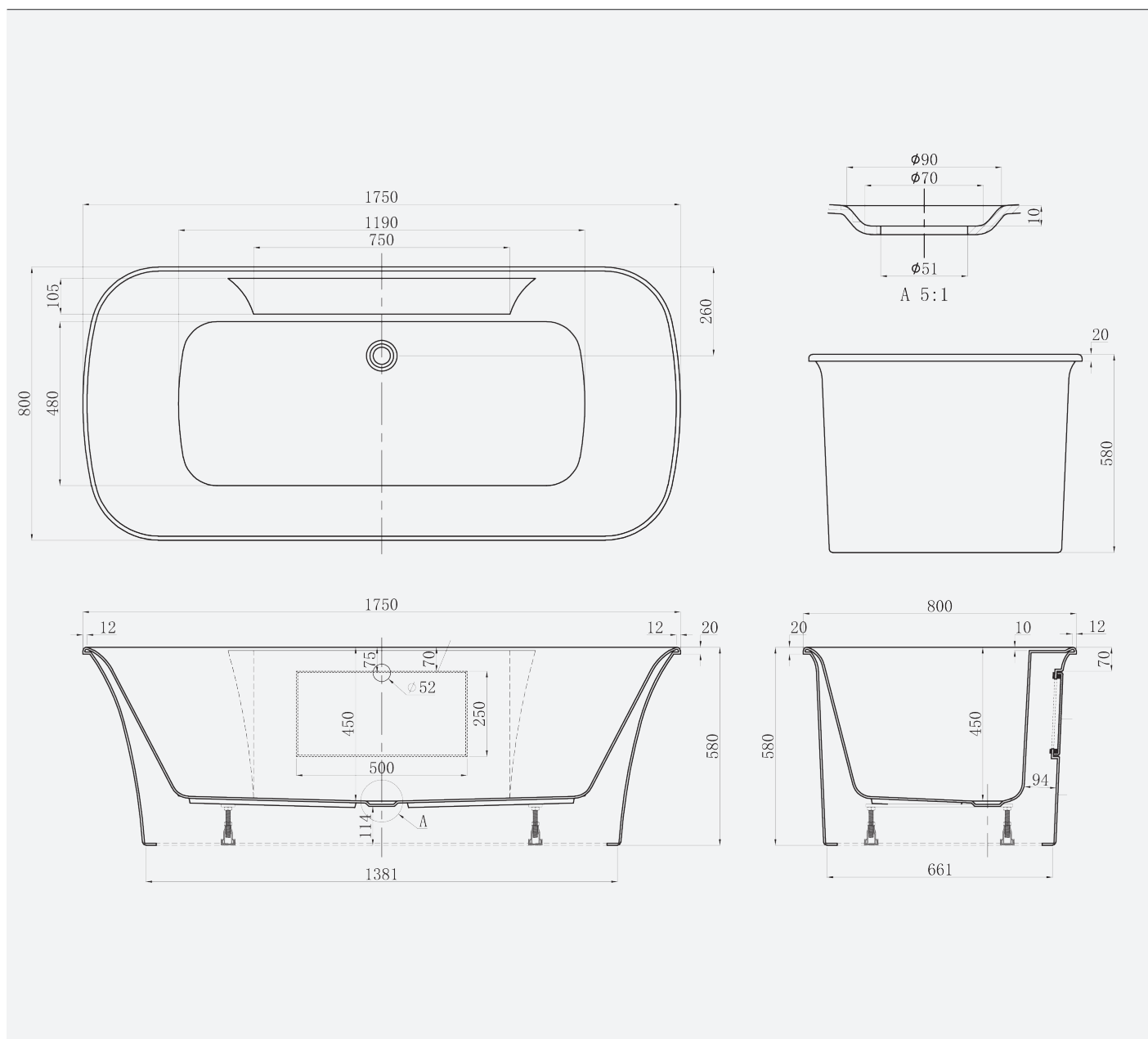
## Technical Information

Size: 1750 x 800mm

Weight: 35kg

Estimate Volume: 195L

Lifetime Guarantee (T&Cs Apply)



Founded  
1880

Telephone 028 9081 7631  
Email info@adamsez.com

www.adamsez.com

AdColour;  
Make me yours

