

AdVance - Acrylic

Sonata

Back-to-Wall 1500

Code: SONB2W/150X75

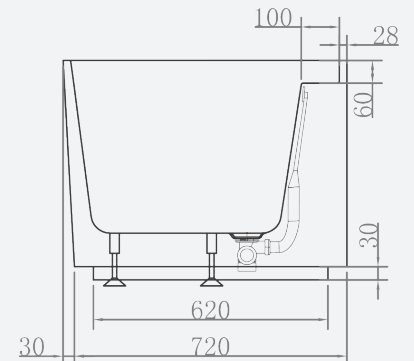
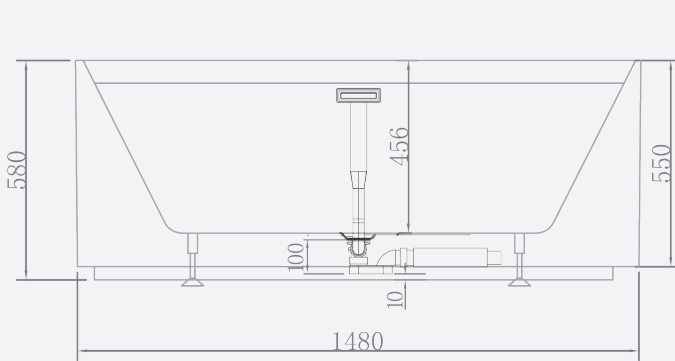
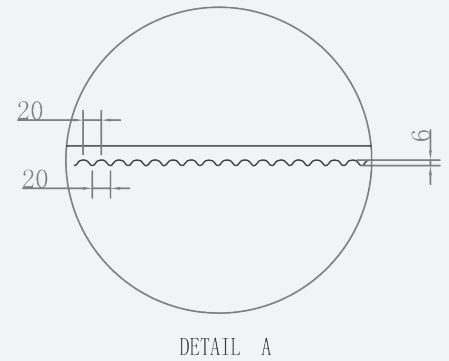
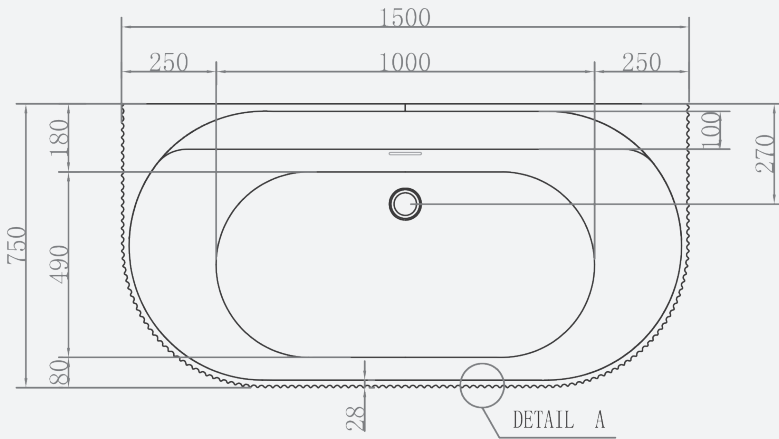
Technical Information

Size: 1500 x 750mm

Weight: 50kg

Estimate Volume: 228L

Lifetime Guarantee (T&Cs Apply)



Founded
1880

Telephone 028 9081 7631
Email info@adamsez.com

www.adamsez.com

