

AdVance - Acrylic

Sonata

Freestanding 1700

Code: SON/170X80

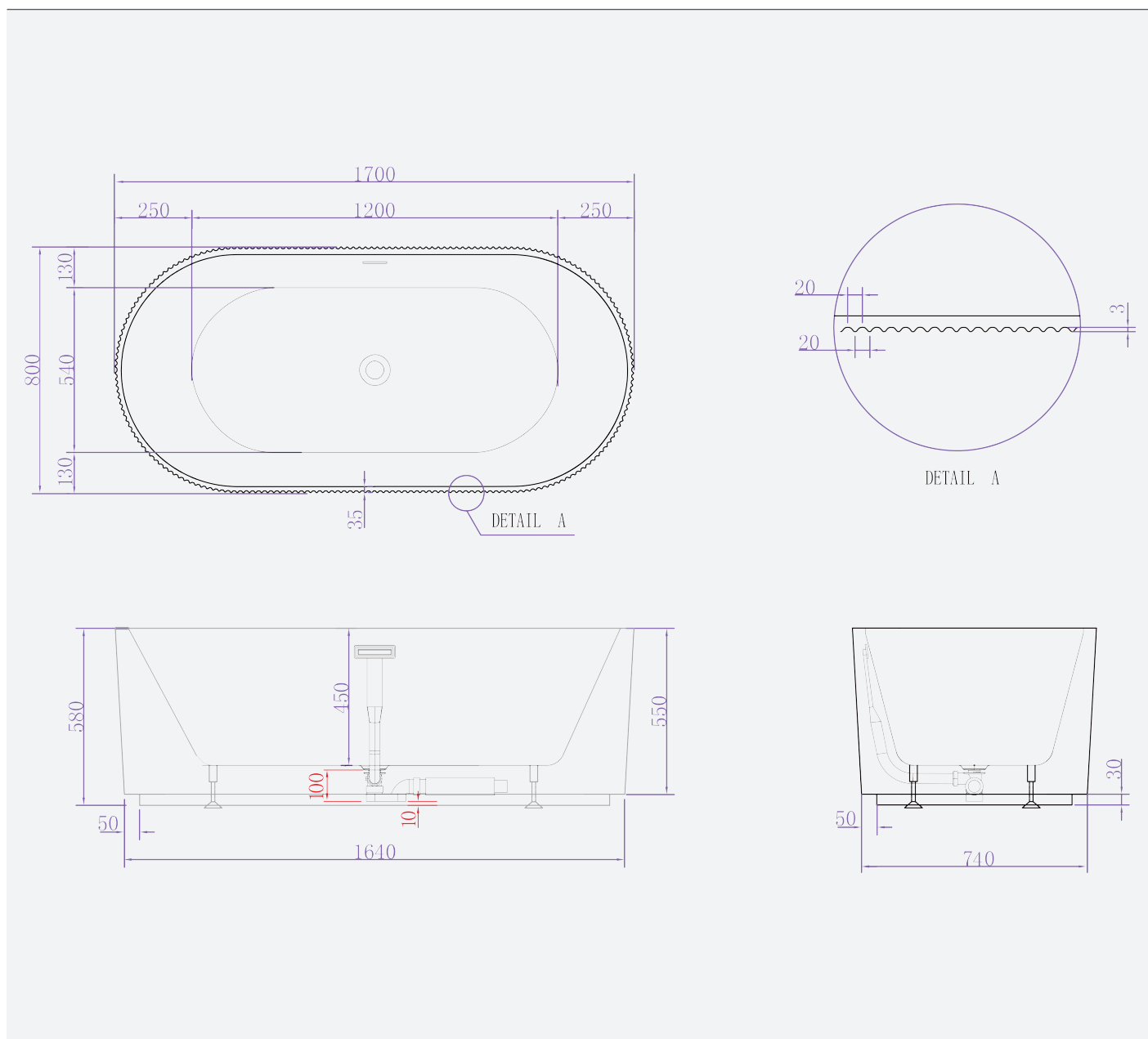
Technical Information

Size: 1700 x 800mm

Weight: 49kg

Estimate Volume: 302L

Lifetime Guarantee (T&Cs Apply)



Founded
1880

Telephone 028 9081 7631
Email info@adamsez.com

www.adamsez.com

