

Contemporary - Acrylic

# Rivie

Single-ended 1500

Code: RIVSE/15X700

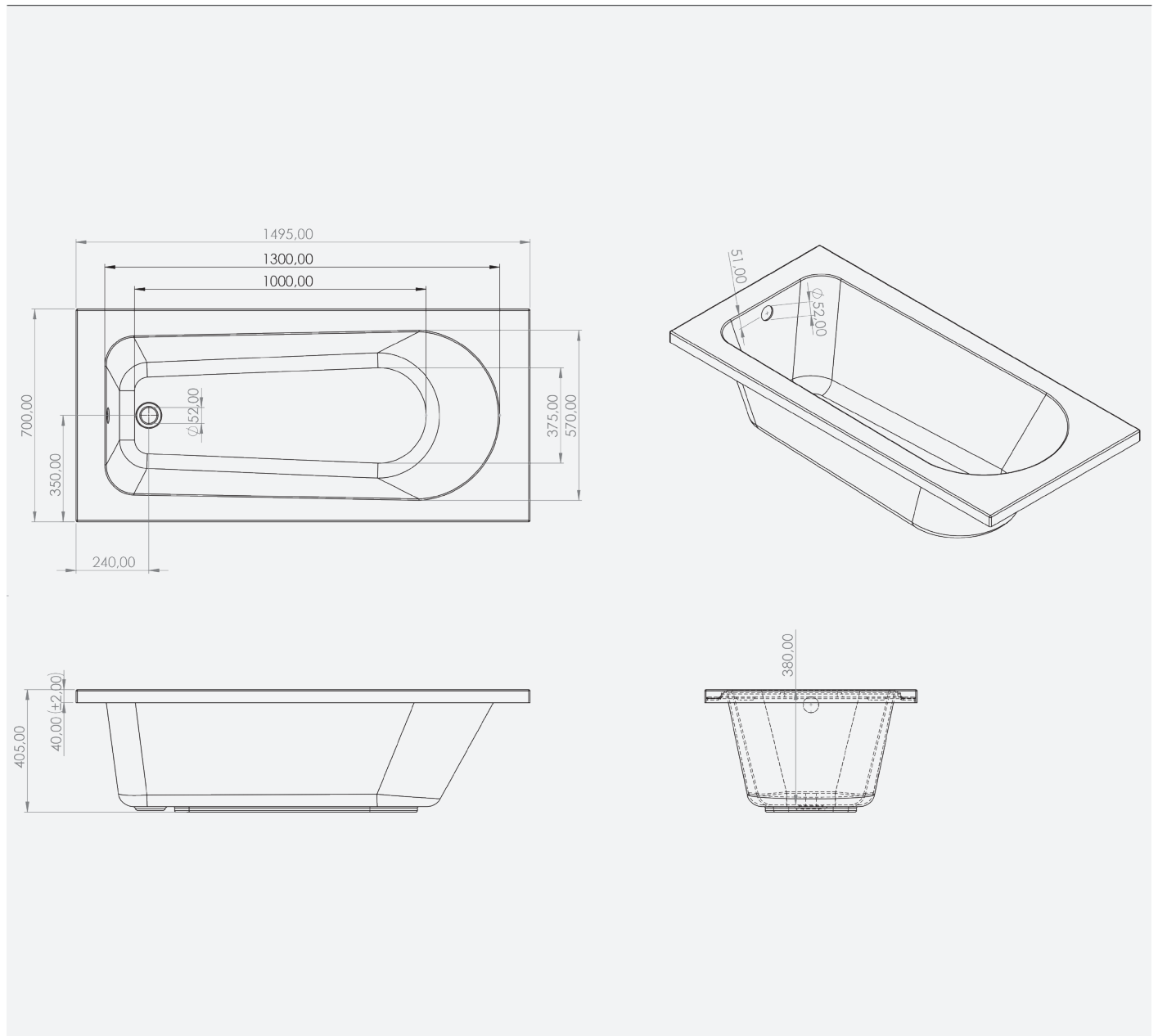
## Technical Information

Size: 1500 x 700mm

Weight: 18.5kg

Estimate Volume: 155L

Lifetime Guarantee (T&Cs Apply)



Founded  
1880

Telephone 028 9081 7631  
Email info@adamsez.com

[www.adamsez.com](http://www.adamsez.com)

 AdColour;  
Make me yours

