

Contemporary - Acrylic

# Saul

Single-ended 1500

Code: SAUSE/15X700

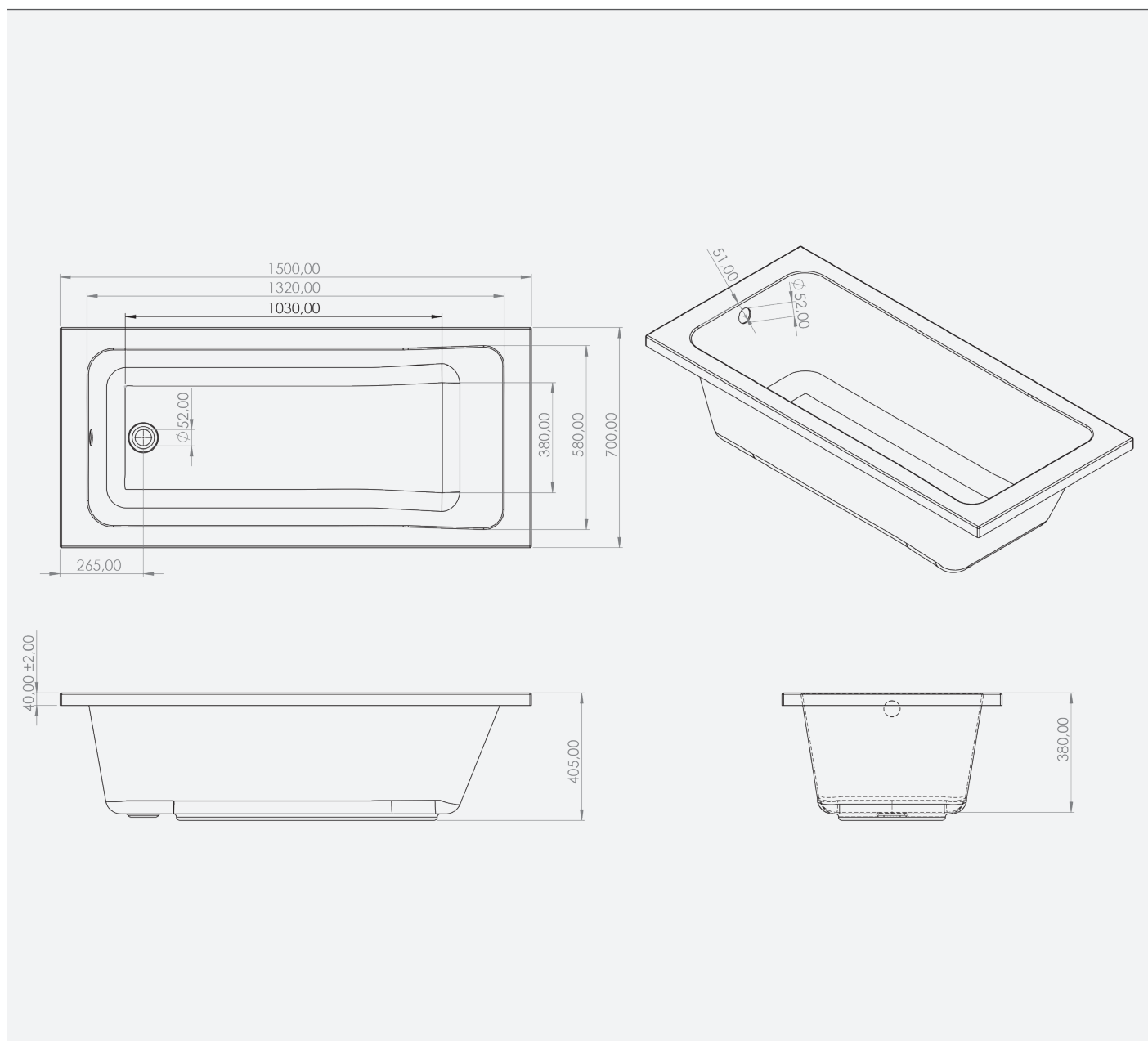
### Technical Information

Size: 1500 x 700mm

Weight: 19.2kg

Estimate Volume: 180L

Lifetime Guarantee (T&Cs Apply)



Founded  
1880

Telephone 028 9081 7631  
Email info@adamsez.com

[www.adamsez.com](http://www.adamsez.com)

 AdColour;  
Make me yours

