

AdCast Basin - Stone

Cara II

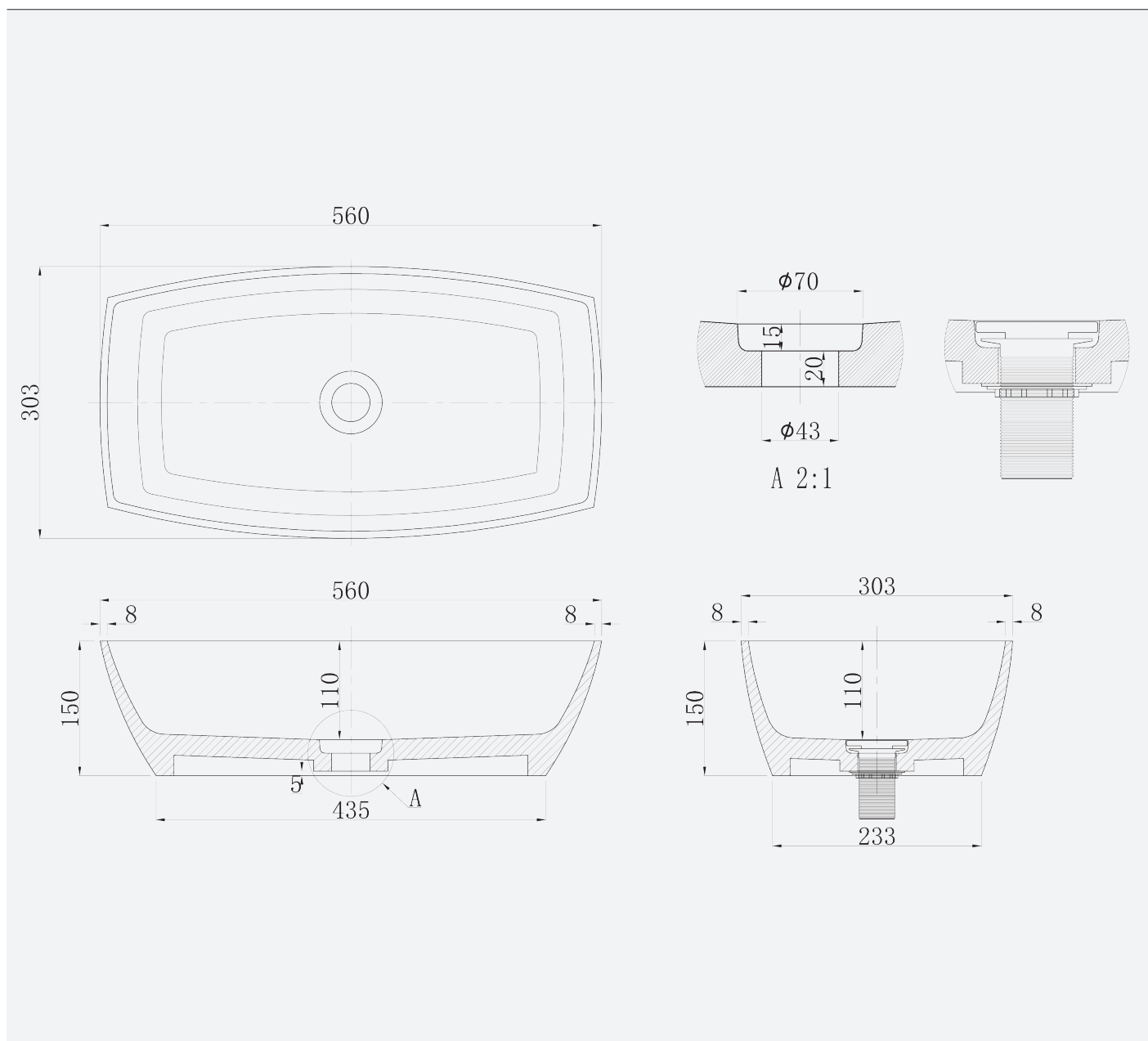
Code: CAR/56X30

Technical Information

Size: 560 x 303mm

Weight: 12.5kg

Lifetime Guarantee (T&Cs Apply)



Founded
1880

Telephone 028 9081 7631
Email info@adamsez.com

www.adamsez.com

 AdColour;
Make me yours

