

AdCast Basin - Stone

Olympic II

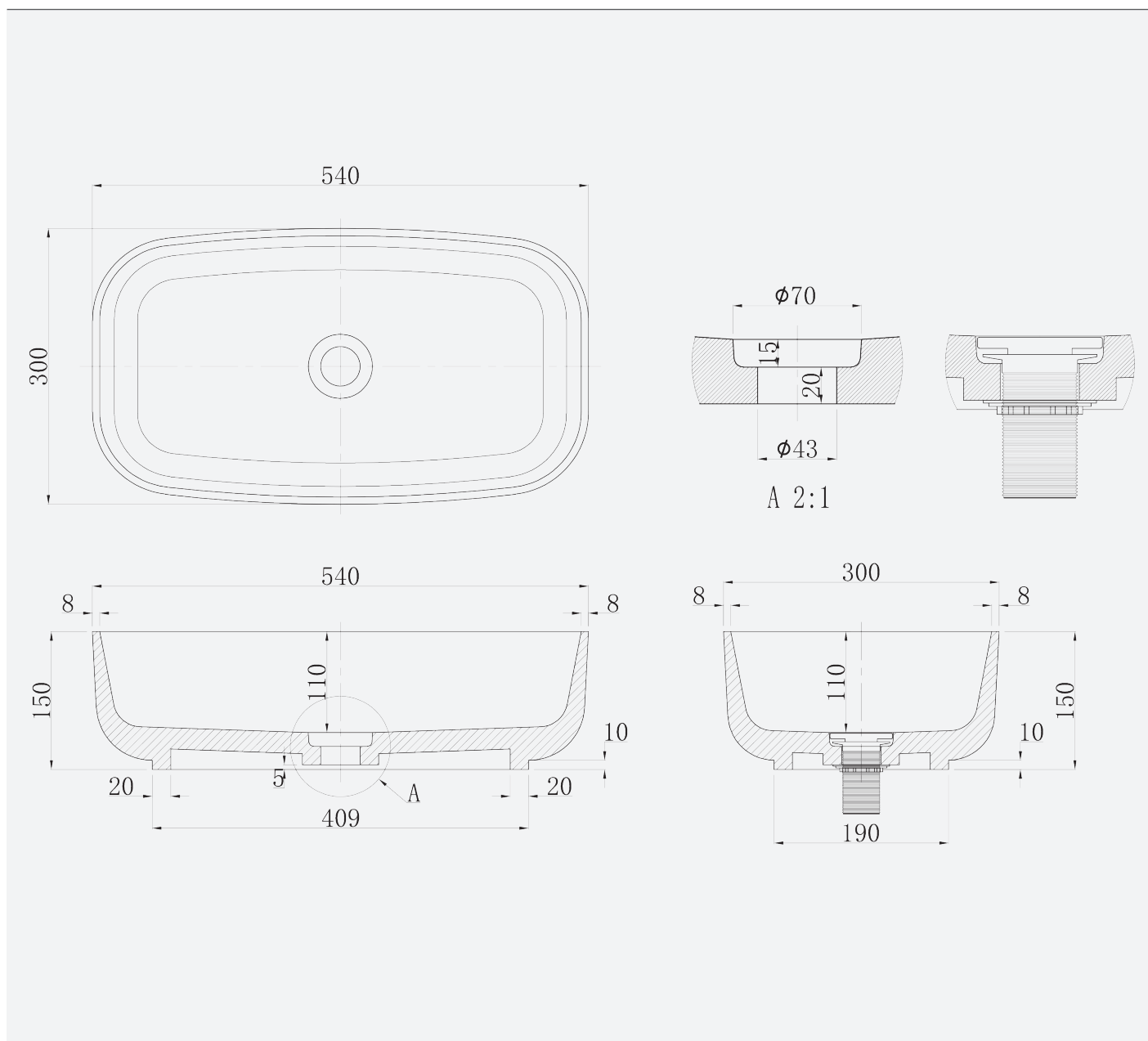
Code: OLY/54X30

Technical Information

Size: 540 x 300mm

Weight: 11kg

Lifetime Guarantee (T&Cs Apply)



Founded
1880

Telephone 028 9081 7631
Email info@adamsez.com

www.adamsez.com

 AdColour;
Make me yours

