

AdCast Basin - Stone

Sonata

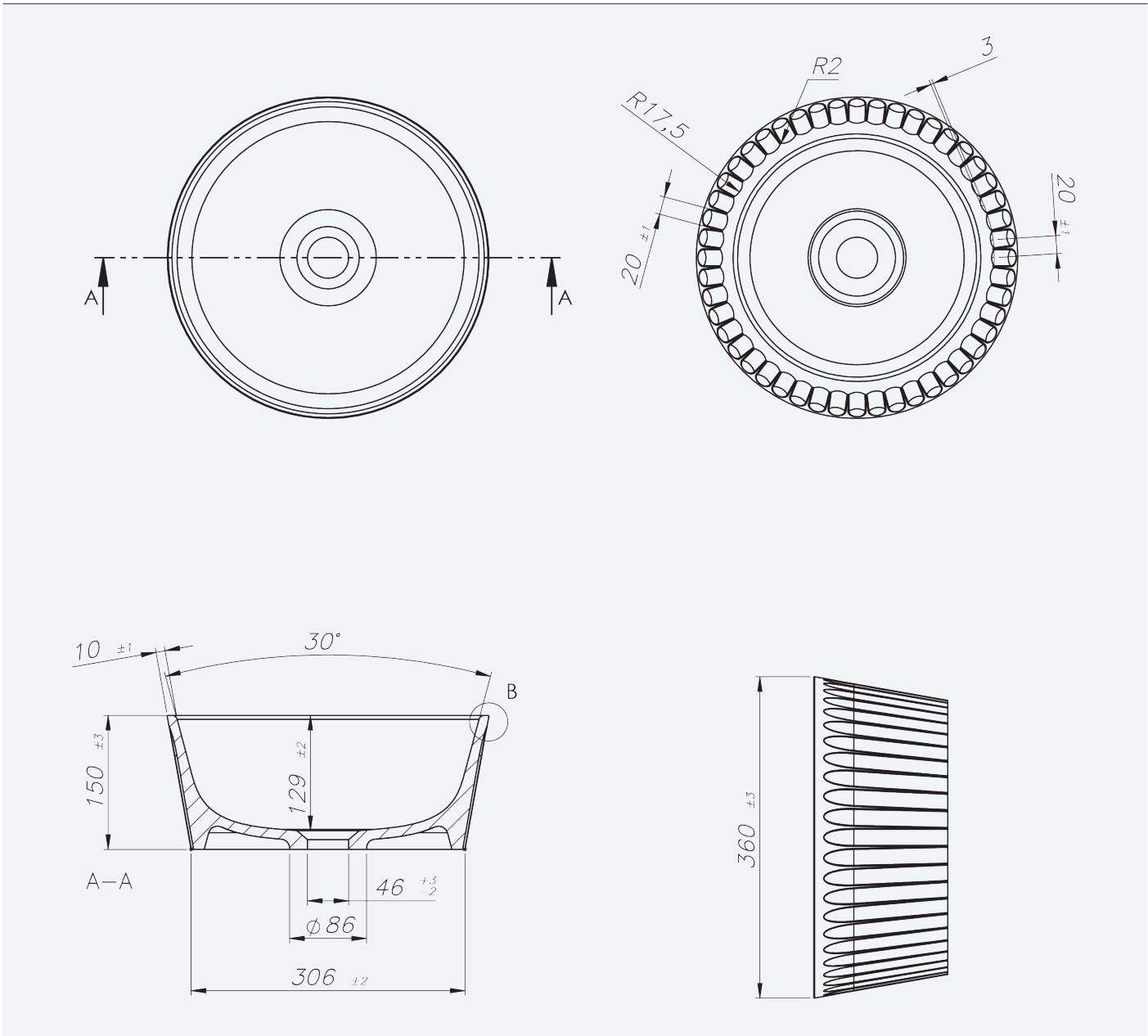
Code: SON/36X36

Technical Information

Size: 360 x 150mm

Weight: 6.5kg

Lifetime Guarantee (T&Cs Apply)



Founded
1880

Telephone 028 9081 7631
Email info@adamsez.com

www.adamsez.com

AdColour;
Make me yours

