

AdCast Basin - Stone

# Thompson

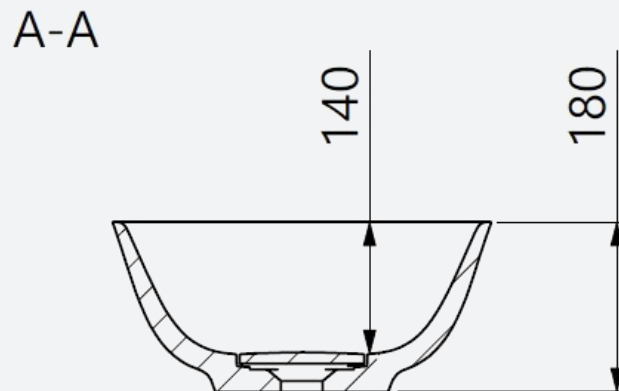
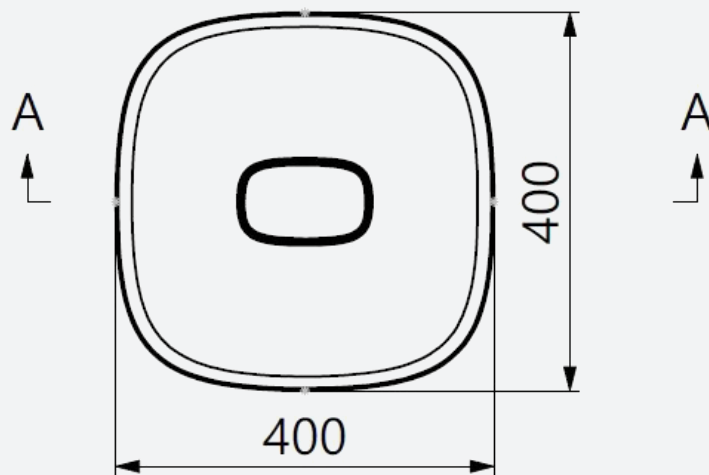
Code: THO/40X40

## Technical Information

Size: 400 x 400mm

Weight: 8kg

Lifetime Guarantee (T&Cs Apply)



Founded  
1880

Telephone 028 9081 7631  
Email info@adamsez.com

www.adamsez.com

AdColour;  
Make me yours

