

AdCast - Stone

Clarendon

Code: CLA/160X70

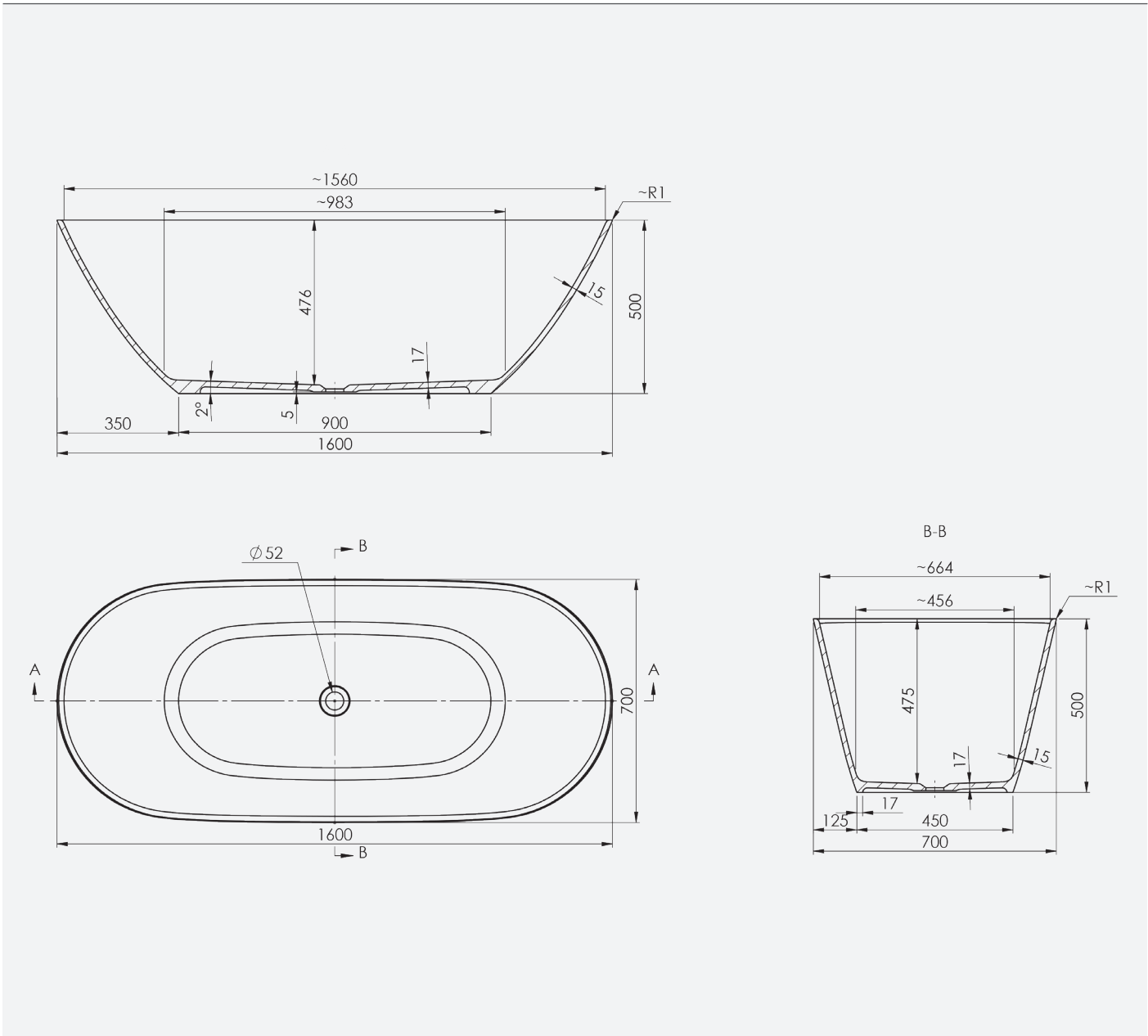
Technical Information

Size: 1600 x 700mm

Weight: 67kg

Estimate Volume: 265L

Lifetime Guarantee (T&Cs Apply)



Founded
1880

Telephone 028 9081 7631
Email info@adamsez.com

www.adamsez.com

AdColour;
Make me yours

