

AdCast - Stone

Harland

Code: HAR/157X68

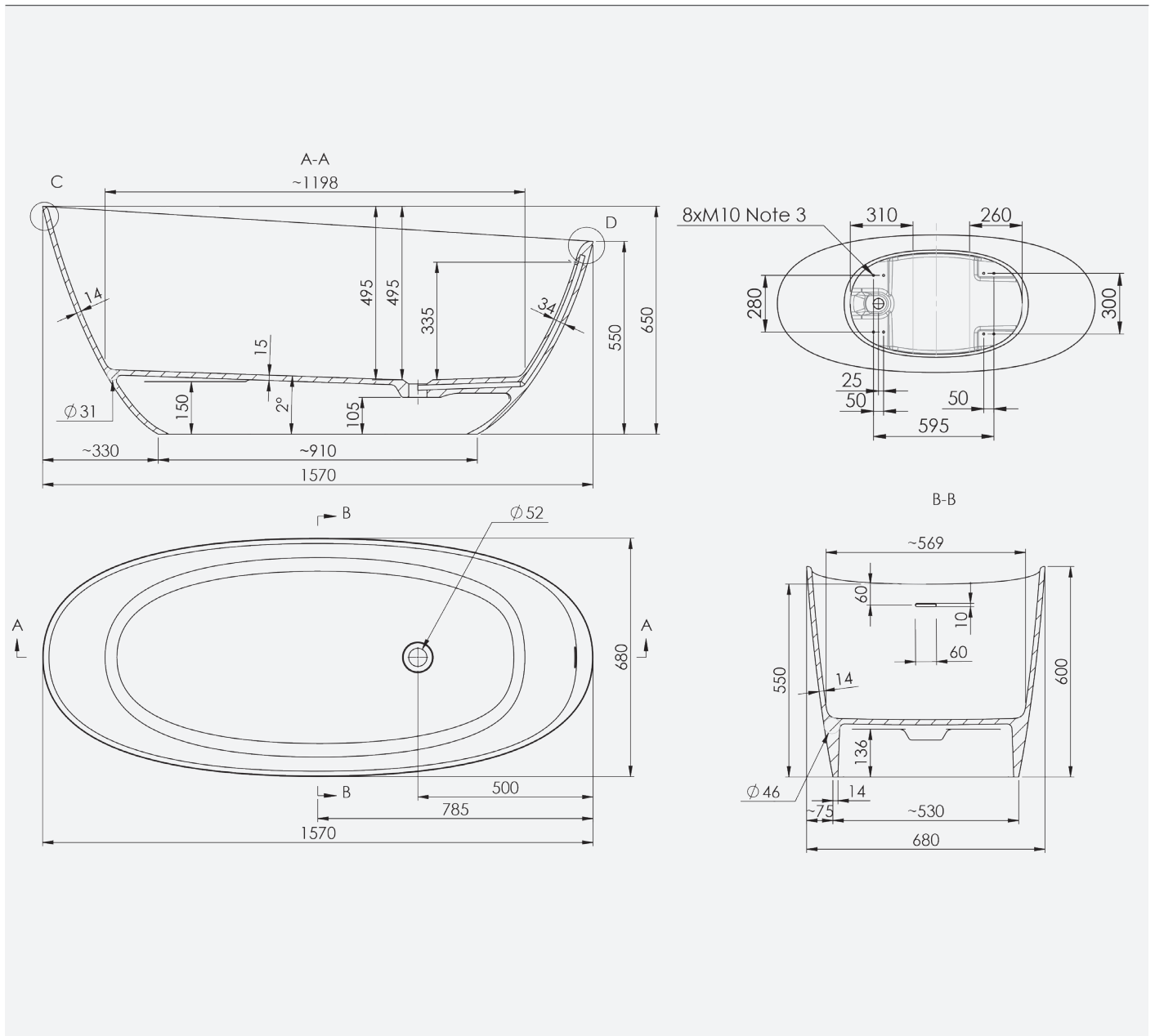
Technical Information

Size: 1570 x 680mm

Weight: 90kg

Estimate Volume: 210L

Lifetime Guarantee (T&Cs Apply)



Founded 1880

Telephone 028 9081 7631
Email info@adamsez.com

www.adamsez.com

AdColour; Make me yours

