

AdCast - Stone

Thompson

Code: THO/150X76

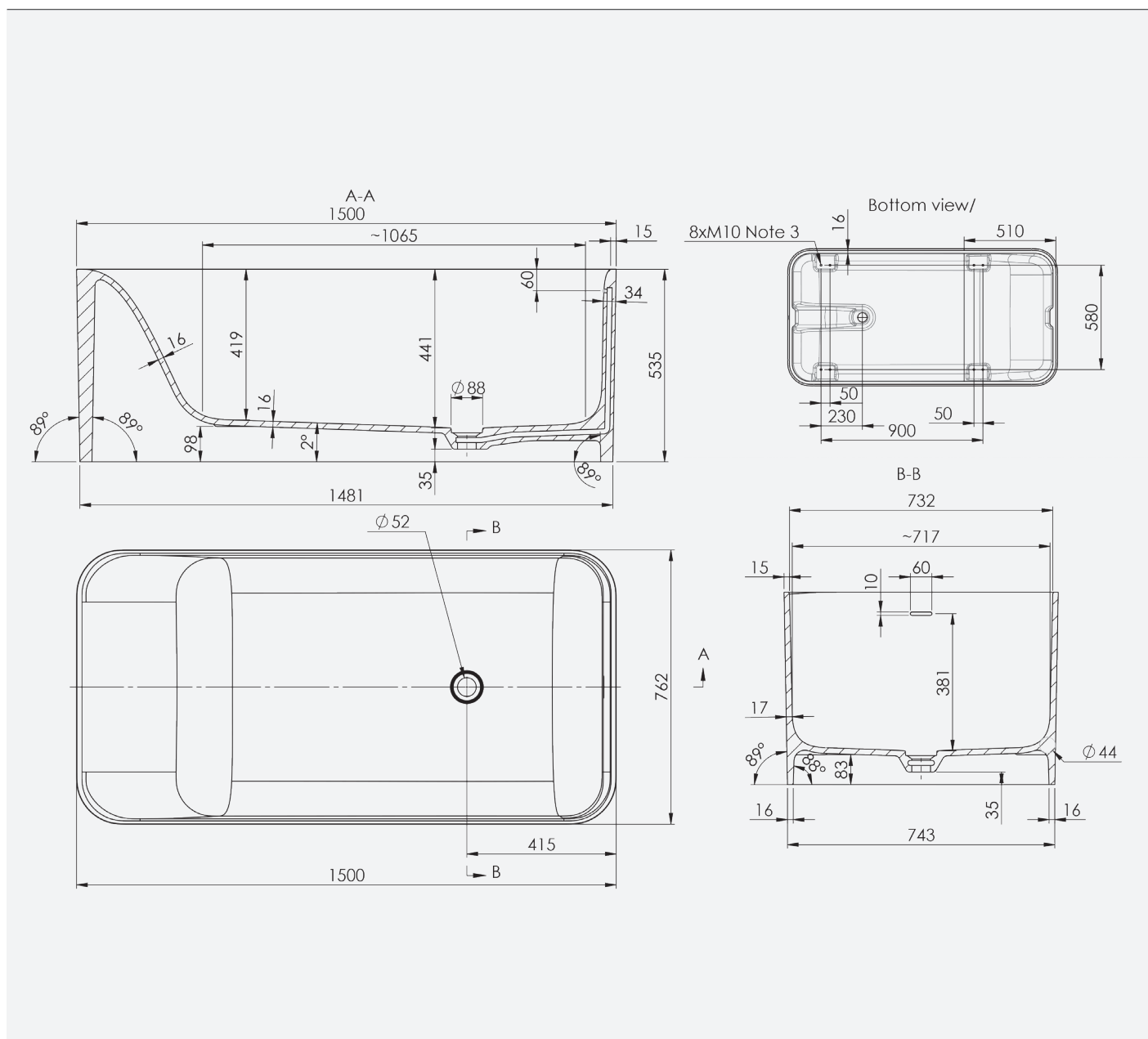
Technical Information

Size: 1500 x 762mm

Weight: 150kg

Estimate Volume: 310L

Lifetime Guarantee (T&Cs Apply)



Founded 1880

Telephone 028 9081 7631
Email info@adamsez.com

www.adamsez.com

AdColour;
Make me yours

