

Ancillaries

# Lux End Panel

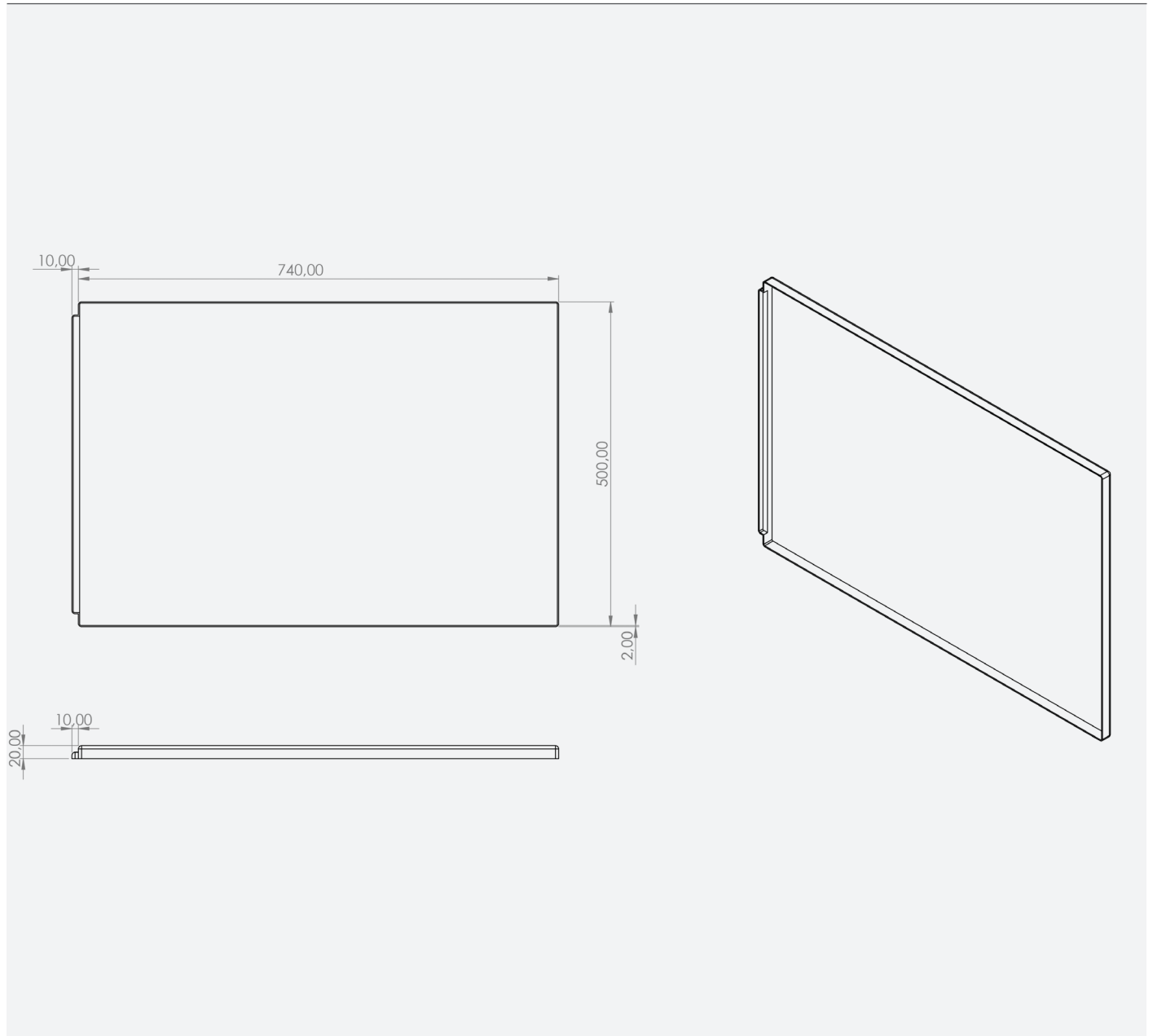
Code: EP/750LUX

**Technical Information**

Size: 750mm

5mm Standard Panel

12-Year Guarantee (T&Cs Apply)



Founded  
1880

Telephone 028 9081 7631  
Email [info@adamsez.com](mailto:info@adamsez.com)

[www.adamsez.com](http://www.adamsez.com)

 AdColour;  
Make me yours

